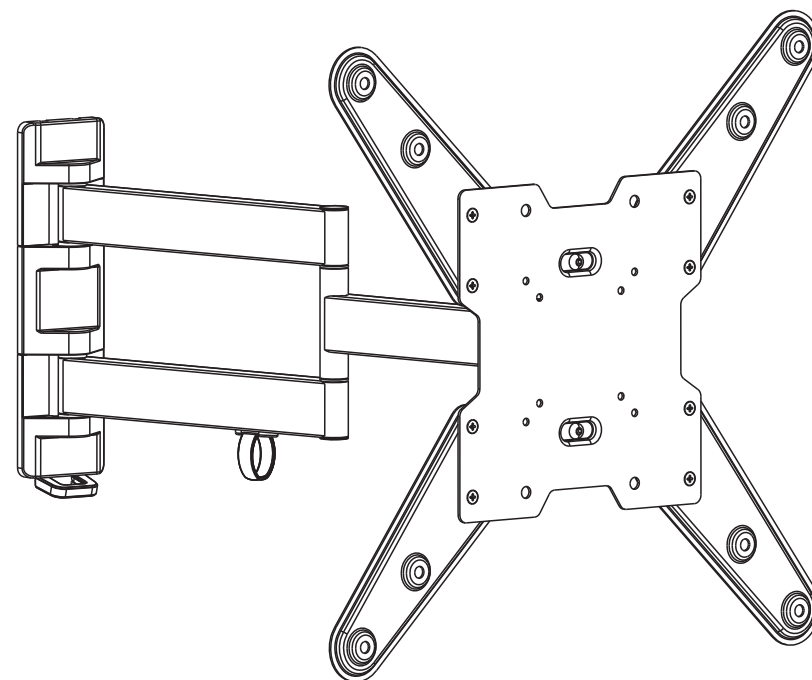


www.BestMounts.ca



## Full Motion LED, LCD TV Wall Mount INSTALLATION INSTRUCTIONS



**CAUTION: DO NOT EXCEED MAXIMUM LISTED WEIGHT CAPACITY. SERIOUS INJURY OR PROPERTY DAMAGE MAY OCCUR!**

**BLM-157**



75x75/100x100  
200x100/200x200  
400x200/300x300  
400x400



ISSUED: JUL. 2012

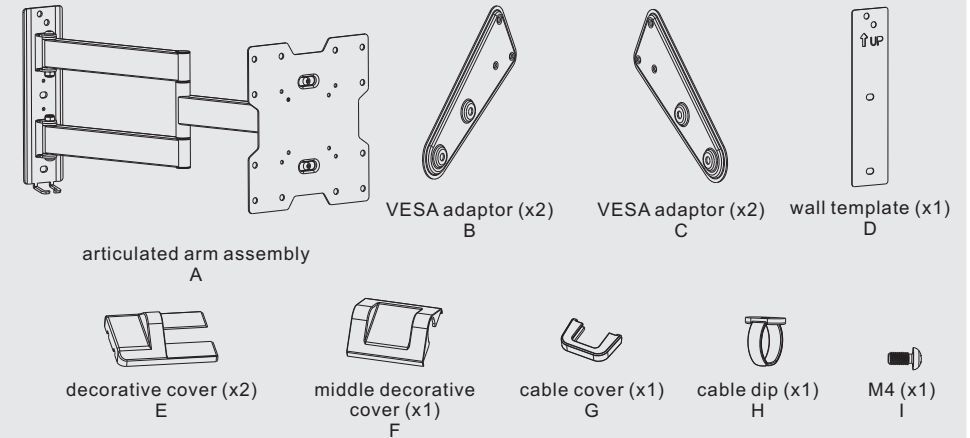
**NOTE:** Read the entire instruction manual before you start installation and assembly.

## ⚠ WARNING

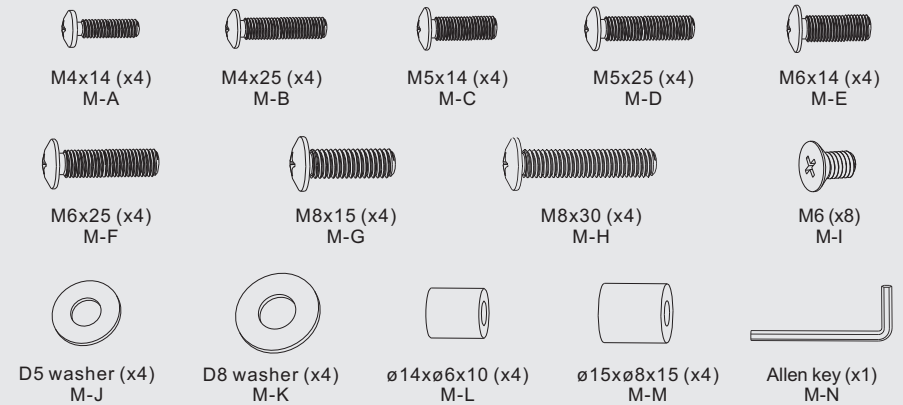
- Do not begin the installation until you have read and understood the instructions and warnings contained in this installation sheet. If you have any questions regarding any of the instruction or warning, please contact your local distributor.
- This mounting bracket was designed to be installed and utilized **ONLY** as specified in this manual. Improper installation of this product may cause damage or serious injury.
- This product should only be installed by someone of good mechanical ability, with basic building experiences and fully understanding of this manual.
- Make sure that the supporting surface will safely support the combined load of the equipment and all attached hardware and components.
- Never exceed the maximum load capacity.
- If mounting to wood wall studs, make sure that mounting screws are anchored into the center of the studs. Use of a stud finder is highly recommended.
- Always use an assistant or mechanical lifting equipment to safely lift and position equipment.
- Tighten screws firmly, but do not over tighten. Over tightening can damage the items, greatly reducing their holding power.
- This product intended for indoor use only. Using this product outdoors could lead to product failure and personal injury.

## Component Checklist

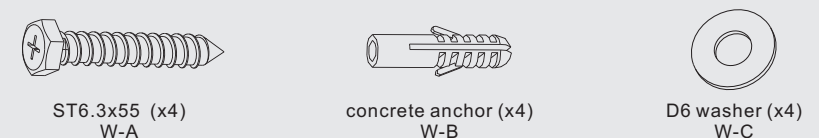
**IMPORTANT:** Ensure that you have received all parts according to the component checklist prior to installing. If any parts are missing or faulty, telephone your local distributor for a replacement.



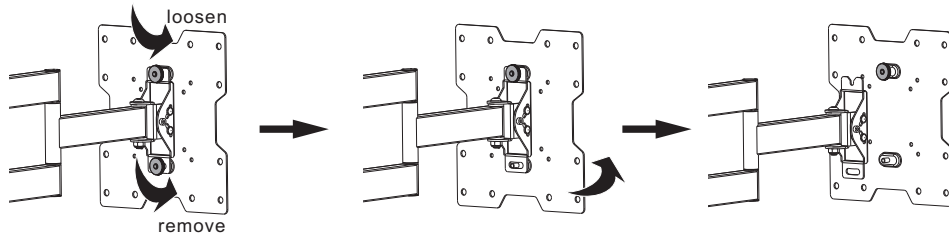
## Package M



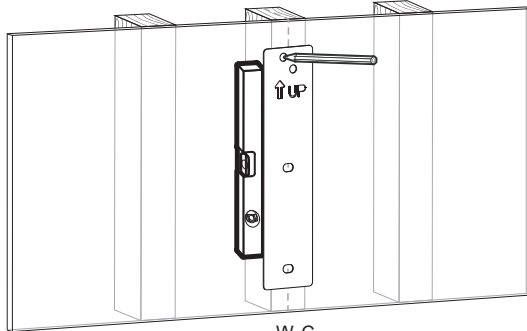
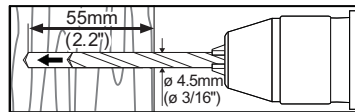
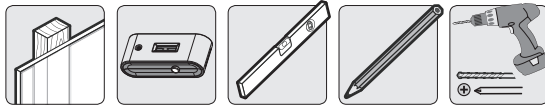
## Package W



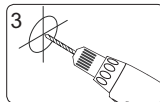
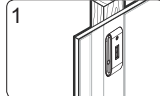
## 1. Disassembling VESA Plate



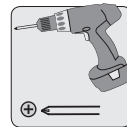
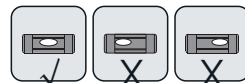
## 2a. Wood Stud Wall Mounting:



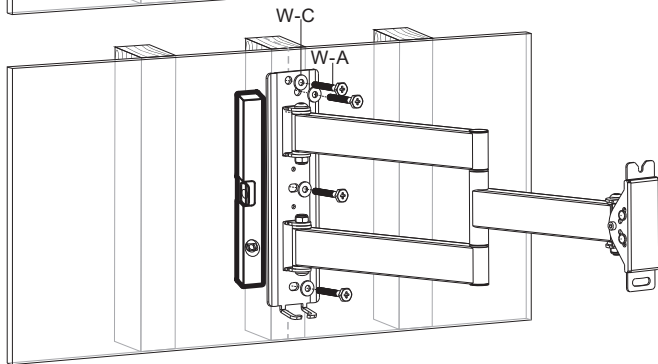
With the up arrow of the plate upward



Drill pilot holes



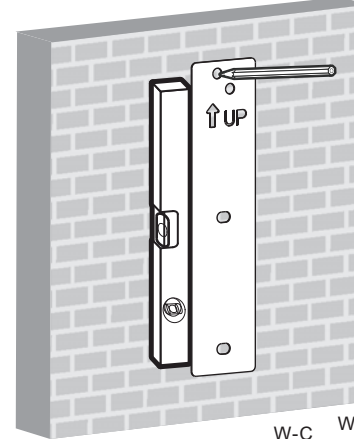
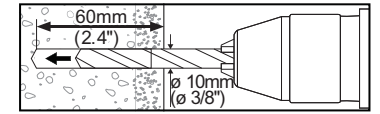
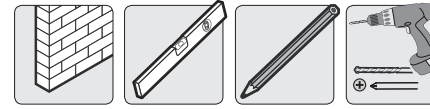
Screw the wall mount onto the wall



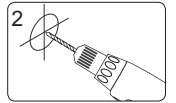
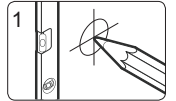
## ! WARNING

- Make sure that mounting screws are anchored into the center of the studs. Use of a stud finder is highly recommended.
- Installers are responsible to provide hardware for other types of mounting situations.
- Installer must verify that the supporting surface will safely support the combined load of the equipment and all attached hardware and components.

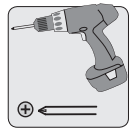
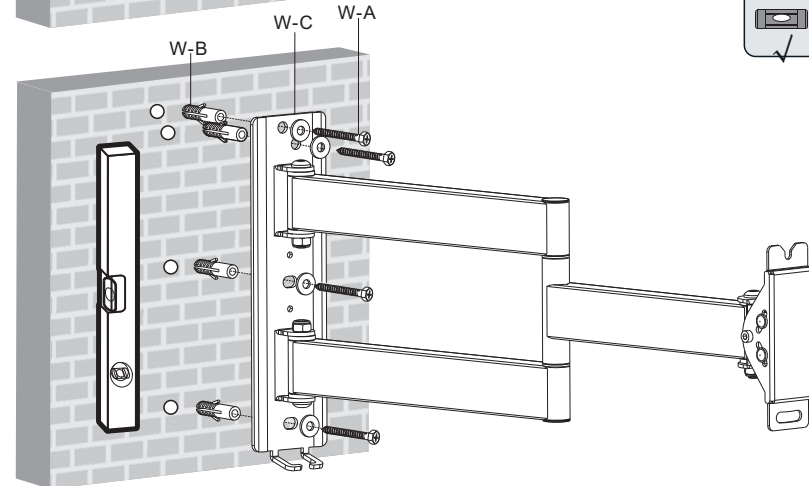
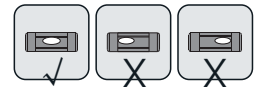
## 2b. Solid Brick and Concrete Block Mounting:



With the up arrow of the plate upward



Drill pilot holes

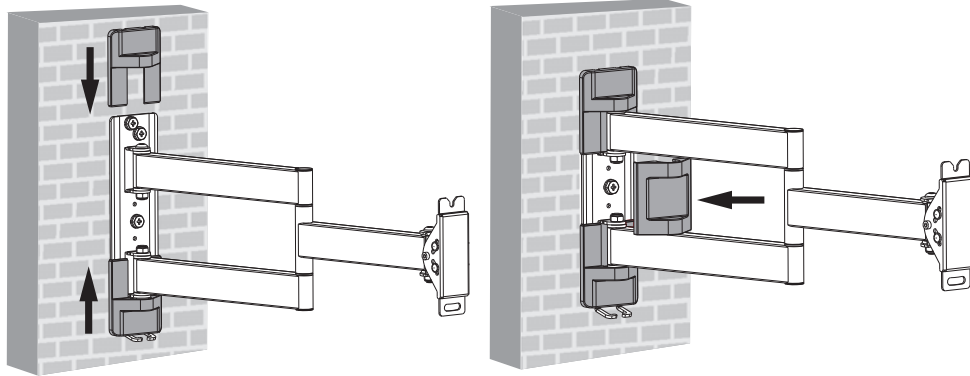


Screw the wall mount onto the wall

## ! WARNING

- When installing wall mounts on cinder block, verify the actual concrete thickness is at least 1-3/8" (35mm) for using the concrete anchors. Do not drill into mortar joints! Be sure to mount in a solid part of the block, generally 1" (25mm) minimum from the side of the block. It is suggested electric drill on slow setting is used to drill the hole instead of a hammer drill to avoid breaking out the back of the hole when entering a void or cavity.
- Installer must verify that the supporting surface will safely support the combined load of the equipment and all attached hardware and components.

### 3. Installing Decorative Covers

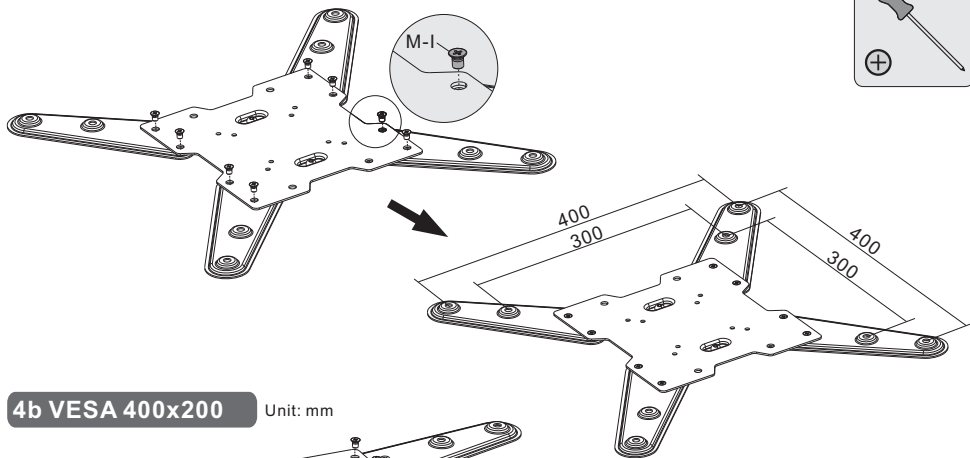


Insert both top and bottom plastic covers

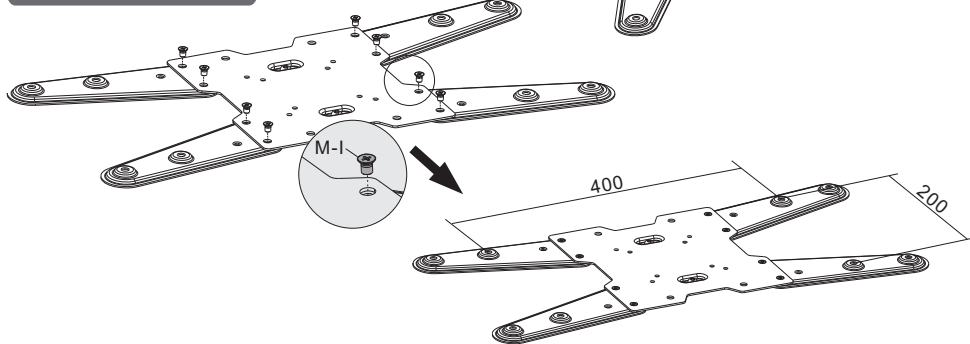
Finally, install the middle decorative covers.

### 4. Assembling VESA Adaptors

4a VESA 300x300, 400x400 Unit: mm

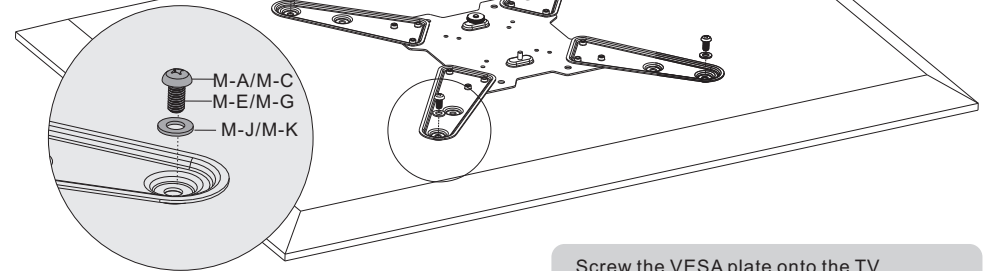
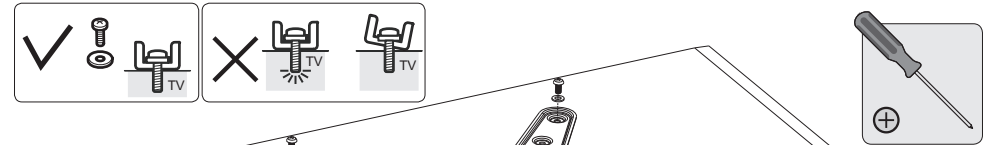


4b VESA 400x200 Unit: mm



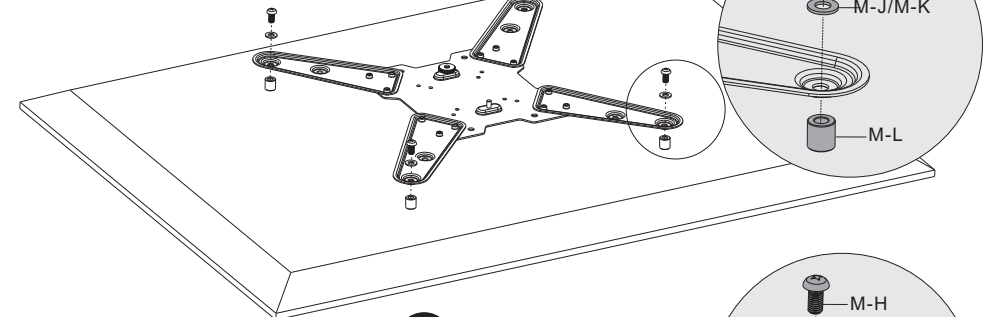
### 5. Installing VESA Plate

5-1 For Flat Back Screen

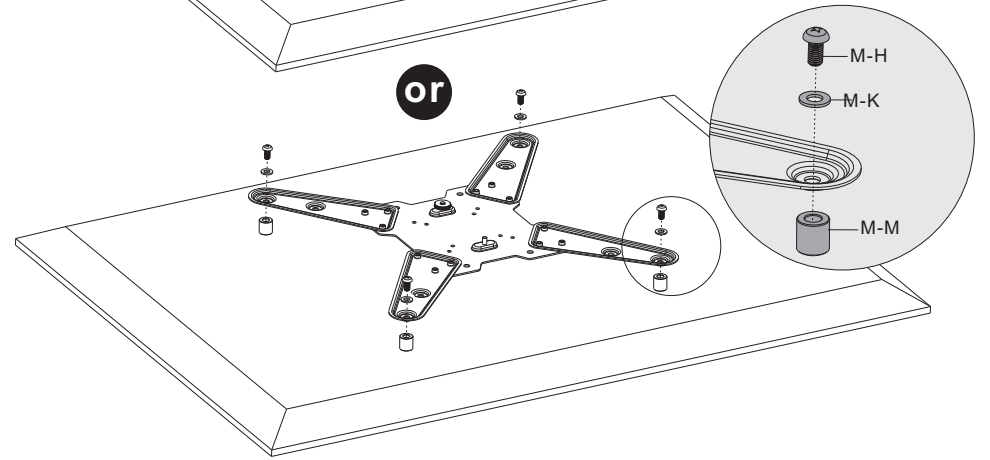


Screw the VESA plate onto the TV.  
**⚠ Tighten all screws but do not over tighten.**

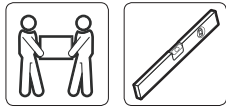
5-2 For Recessed Back Screen or to Access A/V Inputs



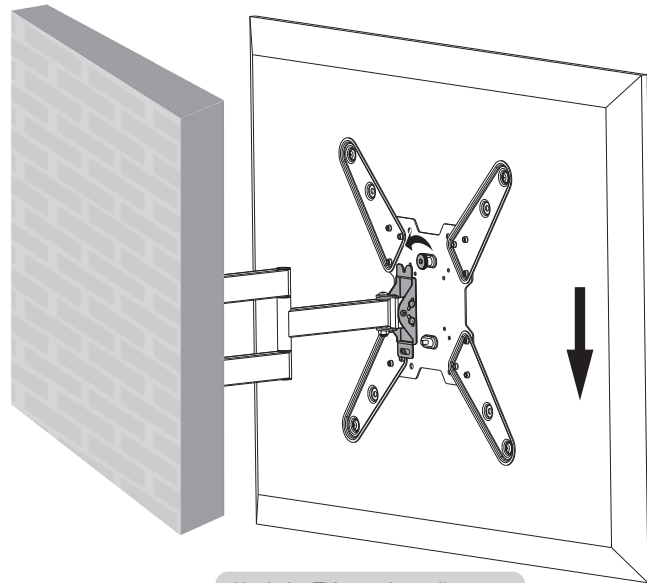
or



## 6. Hook the TV onto the Wall Mount

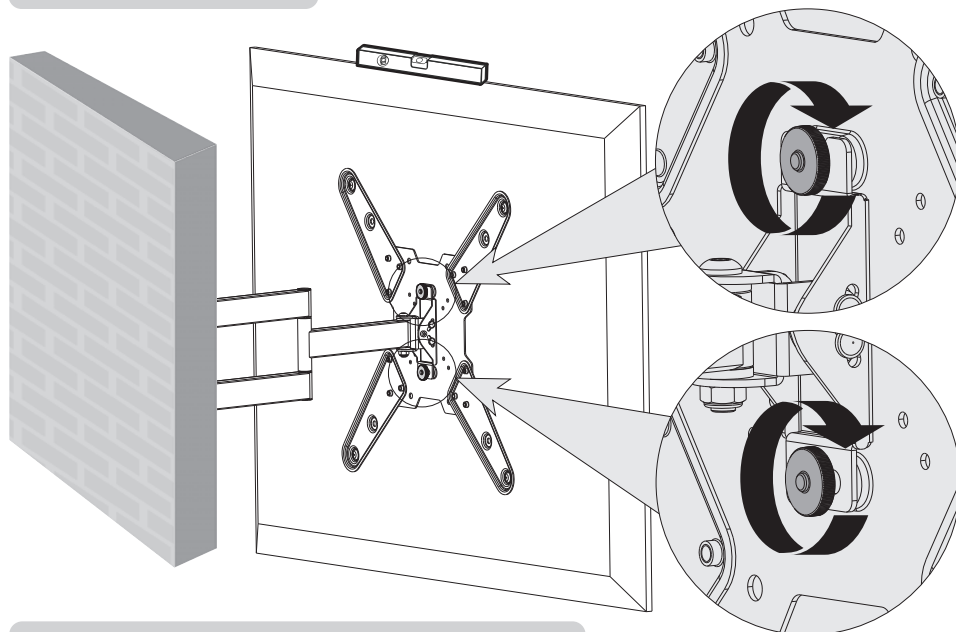


4mm



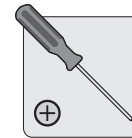
Hook the TV onto the wall mount

Loosen the upper thumbscrew spacing 4mm to VESA plate.

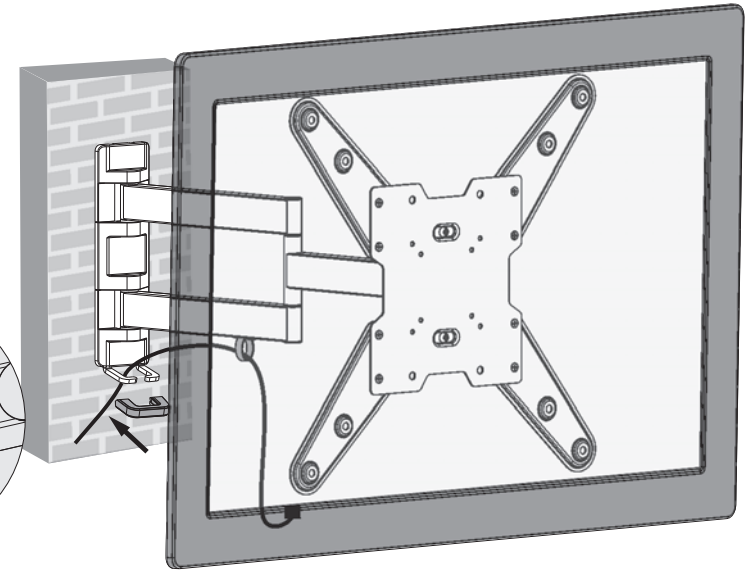
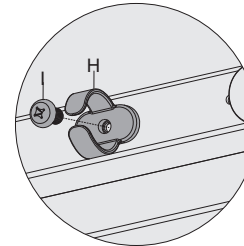


- Position the TV level.
- Place the lower thumbscrew; Tighten both thumbscrews.

## 7. Cable Management



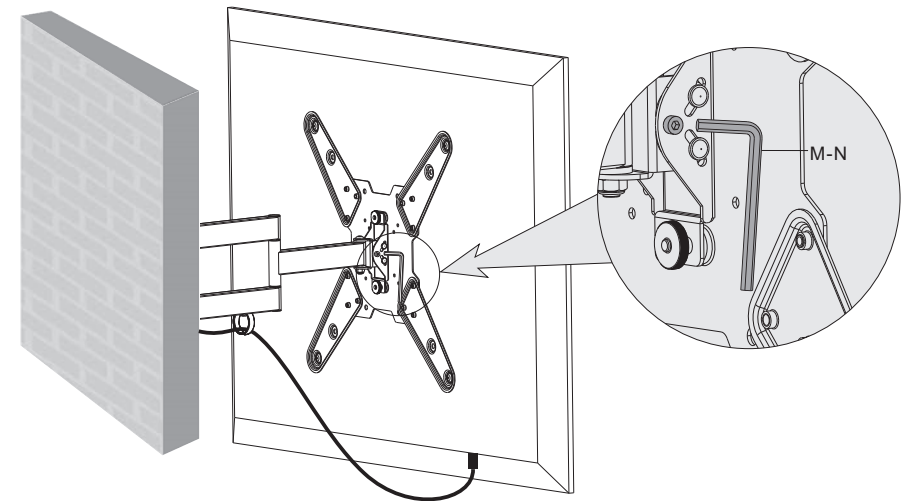
Attach cable clip to the arm using appropriate screw.



Connect cables to your TV and route cables through cable clip, then attach the cable cover to hold the cable in place.

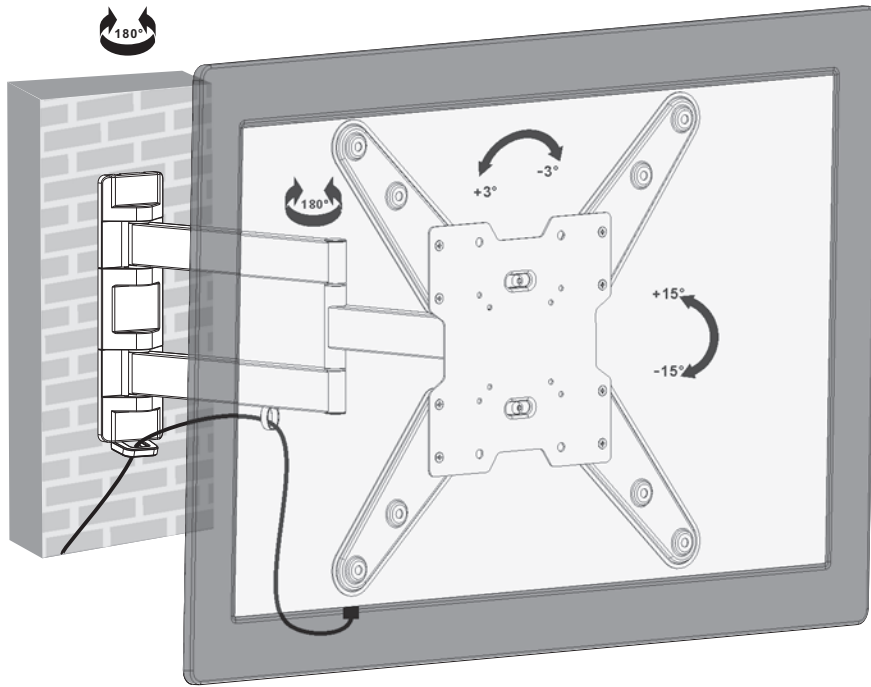
**Note:** Leave slack in cable for cantilever arm movement.

## 8. Adjusting Wall Mount Head



Depending on the weight of the display, it is necessary to slightly loosen or tighten the adjustment screw using the supplied Allen key.

## 9. Pitching Angle Adjustment



Adjust to the desired location or tilt.

### Maintenance

- Check that the bracket is secure and safe to use at regular intervals (at least every three months).
- Please contact your dealer if you have any questions.